

MORRISON

DOMESTIC ROTARY MOWERS

SERIES 19 - OPC

	<u>Part number</u>	<u>Model</u>	<u>Engine</u>
MORRISON	969820	Novara 550 ST	B & S Series 675

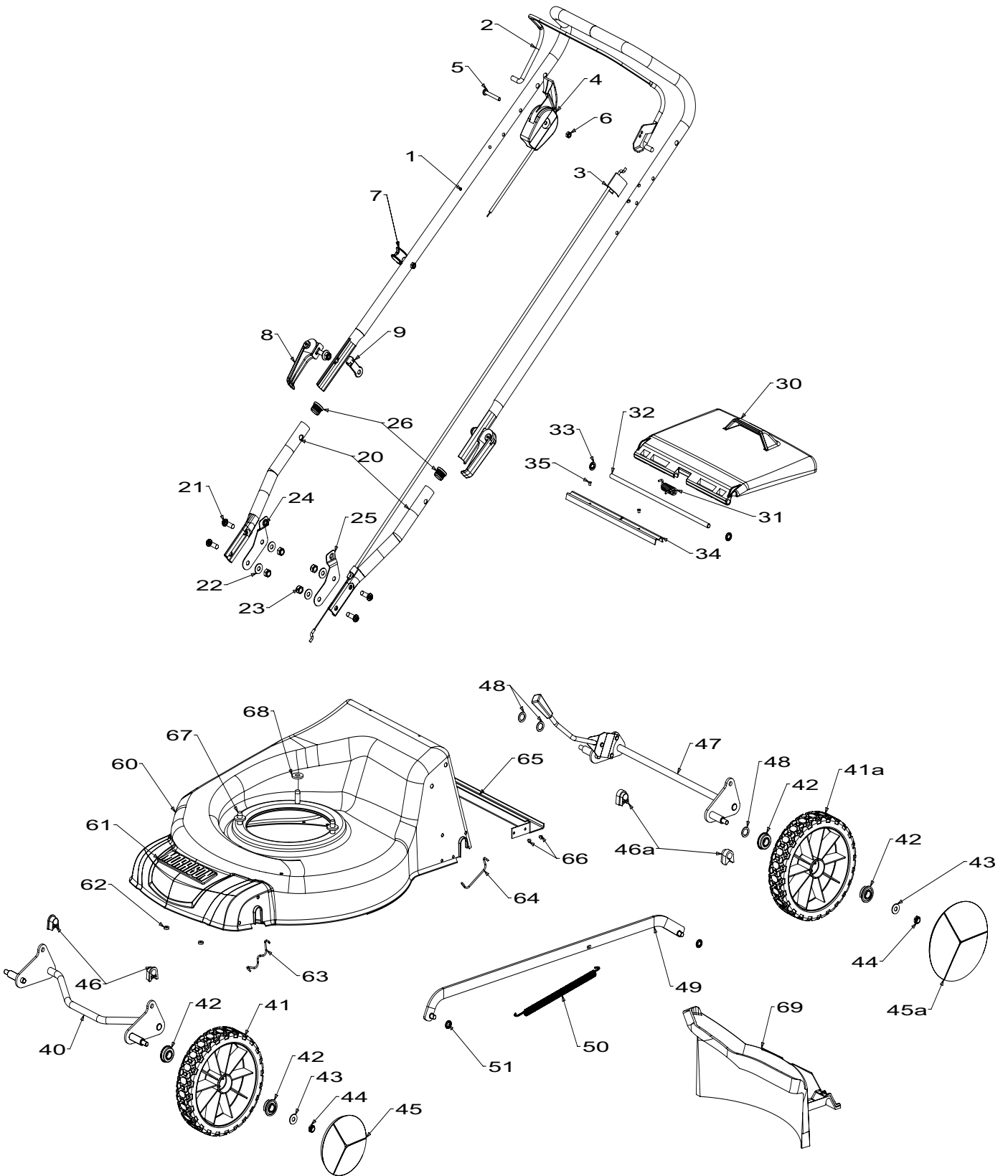
Month and Year of First Manufacture - December 2009





Powered by:
Novara 550 ST : Briggs & Stratton Series 675

MORRISON



When ordering PLEASE QUOTE PART NUMBER & Description, NOT Illustration No.
Determine right or left hand side from standing in operating position (standing at handle)



Powered by:
Novara 550 ST : Briggs & Stratton Series 675

MORRISON

Item No	Part No	Description	Qty	Item No	Part No	Description	Qty
1	781265	Handle Assy-Upper, Upt, OPC	1	49	579243	Rod Assy-Connecting, 19"	1
2	981740	Bail Arm Assy, OPC Flatnd	1	50	581463	Spring-Counter Balance	1
3	583395	Cable- Engine, OPC Push	1	51	501365	Clip-Starlock, 5/16"	2
4	583458	Control-Throttle Assy, Wescon	1			__==__	
5	503604	Screw, Pan M6 x 45	1	60	769169	Housing Assy- Stl 19" XF CO	1
6	501764	Nut, Nyloc M6	1			incl items 65, 66	
7	703856	Comfort Start Kit	1	61	581330	Nameplate- Morrison	1
8	980456	Cam Lock Assy	2	62	503150	Clip- Starlock, 5Dia	2
9	581527	Retainer- Clutch Cable	1	63	529674	Retainer-Axle W, Front	2
		__==__		64	579292	Retainer-Axle, Rear	2
20	980692	Handle-Lower, Stub	2	65	579436	*Brace- Rear	1
21	503643	Screw, Set M8x25 BTN/HD	4	66	581369	*Rivet- Pop 4.0x3.2 S/S	4
22	501606	Washer, Flat 8x19x1.6	4	67	580453	Screw, S/T 3/ 8" x 1 1/8"	3
23	501793	Nut, Nyloc M8	4	68	503419	Washer, Flt 10x23x3.0	3
24	579210	Bracket- Flap, 19" RH	1	69	579218	Insert- Mulching, 19" ST	1
25	579209	Bracket- Flap, 19" LH	1			__==__	
26	503319	Plug- 22mm Plastic	2			NOT ILLUSTRATED	
		__==__					
30	579056	Flap- Mower, 19"	1	503054		Tie- Nylon, Cable	2
31	579213	Spring-Flap, 19" ST Deck	1	580778		Stop- Rope	1
32	779208	Wire-Flap Pivot 8mm x 320mm	1	569160		Owners Manual	1
33	501365	Clip- Starlock, 5/16"	2				
34	579211	Dust Seal- Flap	1				
35	581369	Rivet- Pop 4.0x3.2 S/S	2				
		__==__					
40	983247	Axle-Front, 175mm	1				
41	579041	Wheel Assy- 175mm	2				
		incl item 42					
41a	580791	Wheel Assy- 200mm	2				
		incl item 42					
42	551212	*Bearing- Wheel	8				
43	501606	Washer, Flat 8x19x1.6	4				
44	503831	Nut, M8 Hex Nyloc 6 Thck	4				
45	579042	Hub Cap, 150mm Dia	2				
45a	580794	Hub Cap, 200mm Dia	2				
46	580030	Bush-Pivot, Front Axle	2				
46a	580668	Bush-Pivot, Rear Axle	2				
47	773282	Axle Assy- Rear Complete 19"	1				
48	503301	Washer, Flt 1/2x3/4x18G	3				

Bold Text = Assemblies
Bulleted Text = Items included in Assemblies

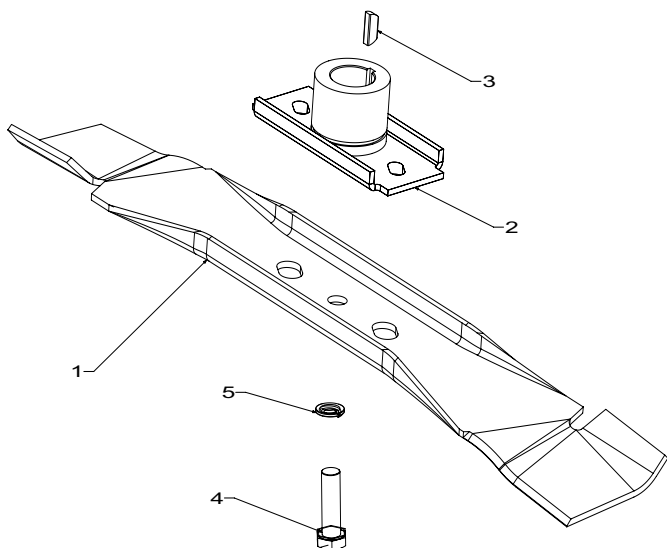
When ordering PLEASE QUOTE PART NUMBER & Description, NOT Illustration No.
Determine right or left hand side from standing in operating position (standing at handle)



Powered by:
Novara 550 ST : Briggs & Stratton Series 675

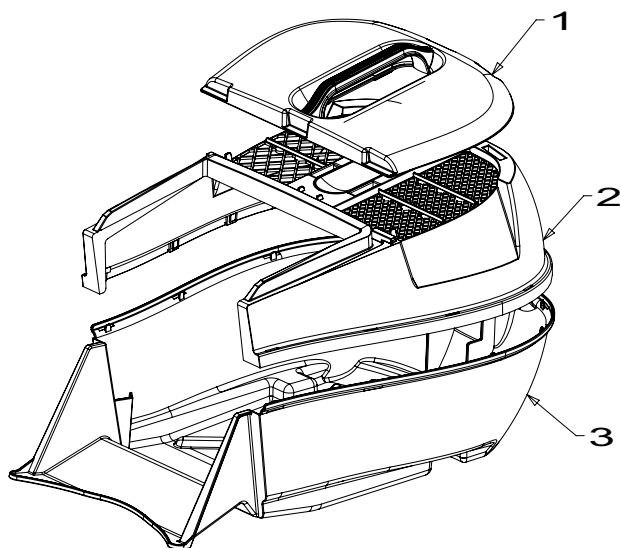
MORRISON

485mm Bar Blade Assembly



Item	Part No	Description	Qty
1	573550	Blade- Bar, 485 mm HP	1
2	031640	Driver Assy-Blade - 25mm	1
3	503363	Key- W/ruff 5/8x3/16x1/4	1
4	581610	Screw, Set NF 3/8x1.25 NYG8	1
5	500204	Washer, Spring 3/8"	1

Catcher Assembly Plastic - 779344



Item	Part No	Description	Qty
1	579050	Catcher- Lid, 19"	1
2	783556	Catcher- Top, 19"	1
3	579037	Catcher- Bottom, 19"	1