

MORRISON

DOMESTIC ROTARY MOWERS

SERIES 18 - OPC

	<u>Part number</u>	<u>Model</u>	<u>Engine</u>
MORRISON	569813	Novara 300 ST	B & S Series 500

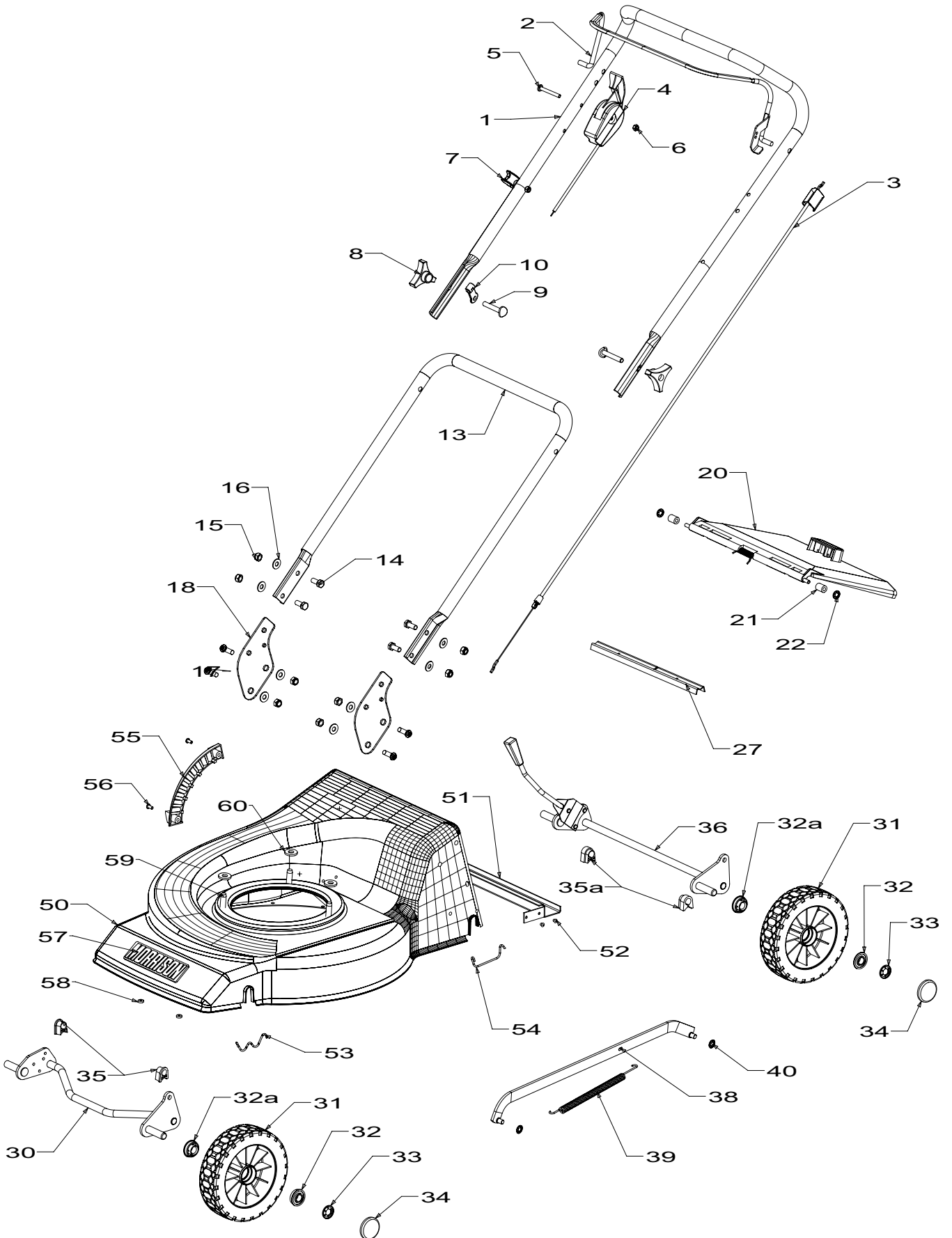
Month and Year of First Manufacture - December 2009





Powered by:
Novara 300 ST : Briggs & Stratton Series 500

MORRISON



When ordering PLEASE QUOTE PART NUMBER & Description, NOT Illustration No.
Determine right or left hand side from standing in operating position (standing at handle)



Powered by:
Novara 300 ST : Briggs & Stratton Series 500

MORRISON

Item No	Part No	Description	Qty	Item No	Part No	Description	Qty
1	971022	Handle-Upper, Upt, Wide OPC	1	50	769164	Housing Assy- Stl 18" ODS FS	1
2	981740	Bail Arm Assy, OPC Flatnd	1			incl items 51 - 52	
3	581656	Cable- Engine, OPC Push	1	51	583267	*Brace- Rear	1
4	583458	Control-Throttle Assy	1	52	581369	*Rivet- Pop 4.0x3.2 S/S	4
5	503604	Screw, Pan M6 x 45	1	53	529674	Retainer-Axle W, Front	2
6	501764	Nut, Nyloc M6	1	54	579292	Retainer-Axle, Rear	2
7	703856	Comfort Start Kit	1	55	580025	Quadrant- Height Selector	1
8	574230	Knob- Plastic, M8 Insert	2	56	503660	Rivet- Pop 4.8x9.0	2
9	574218	Bolt, SPH M8x53x35	2	57	581330	Nameplate- Morrison	1
10	581527	Retainer- Clutch Cable	1	58	503150	Clip- Starlock, 5Dia	2
		__==__		59	580453	Screw, S/T 3/ 8" x 1 1/8"	3
13	971017	Handle-Lower, "U", OPP Long	1	60	573585	Spacer, Flt 22x4.0	3
14	501597	Screw, Set M8x20 Hex	4			__==__	
15	501793	Nut, Nyloc M8	8			NOT ILLUSTRATED	
16	501606	Washer, Flat 8x19x1.6	8				
17	503643	Screw, Set M8x25 BTN/HD	4				
18	579689	Bracket- Flap, OPP	2	503054		Tie- Nylon, Cable	5
		__==__		580778		Stop- Rope	1
20	781532	Flap Assy- Mower, Plastic	1	569160		Owners Manual	1
21	579733	Spacer- Flap	2				
22	503574	Clip- Starlock, 6 Dia	2				
27	583151	Dust Seal- Flap	1				
		__==__					
30	581269	Axle-Front, 175mm	1				
31	579041	Wheel Assy-175mm	4				
		incl items 32, 32a					
32	551212	*Bearing- Wheel	4				
32a	579694	*Bearing- Wheel, Plastic	4				
33	503236	Clip- Starlock, 1/2"	4				
34	581000	Hub Cap, Button	4				
35	580030	Bush-Pivot, Front Axle	2				
35a	580668	Bush-Pivot, Rear Axle	2				
36	969241	Axle Assy- Rear, Complete	1				
38	972288	Rod Assy-Connecting, 460	1				
39	581463	Spring-Counter Balance	1				
40	501365	Clip-Starlock, 5/16"	4				
		__==__					

Bold Text = Assemblies
Bulleted Text = Items included in Assemblies

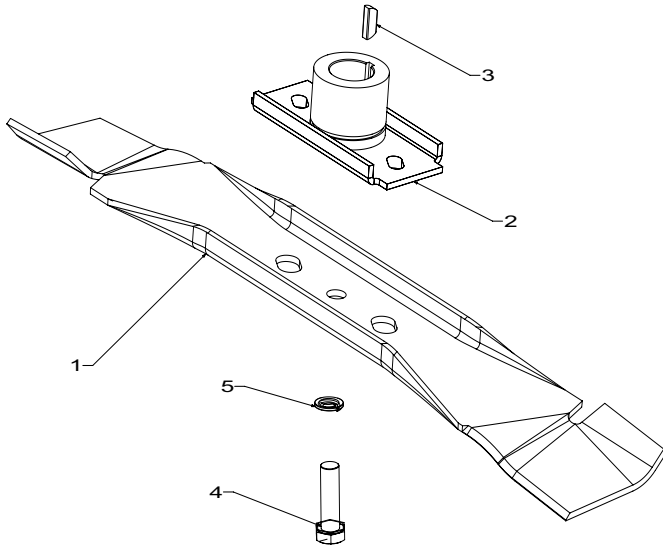
When ordering PLEASE QUOTE PART NUMBER & Description, NOT Illustration No.
Determine right or left hand side from standing in operating position (standing at handle)



Powered by:
Novara 300 ST : Briggs & Stratton Series 500

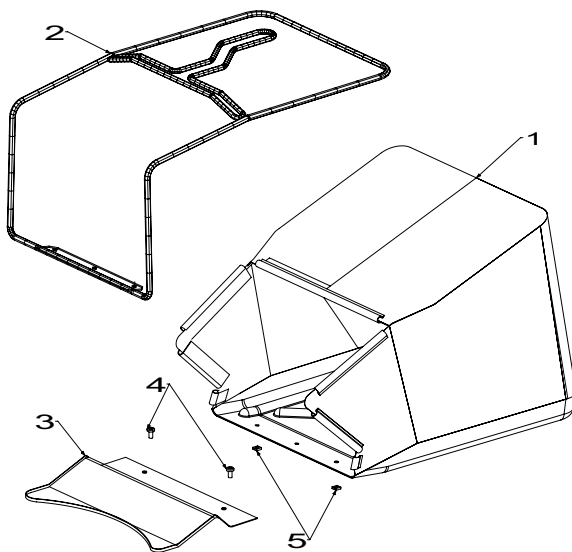
MORRISON

460mm Bar Blade Assembly



Item	Part No	Description	Qty
1	573512	Blade- Bar, 460 mm HP	1
2	014173	Driver Assy-Blade - 7/8	1
3	500636	Key- W/ruff 5/8x5/32x1/4	1
4	581610	Screw, Set NF 3/8x1.25 NYG8	1
5	500204	Washer, Spring 3/8"	1

Catcher Assembly Fabric - 980900



Item	Part No	Description	Qty
1	580037	Bag Assy, Catcher	1
2	579312	Frame Assy, Catcher 18"	1
3	980036	Lip, Catcher	1
4	503591	Screw, Pan M6x12	2
5	502098	Nut, M6 Square Pressed	2