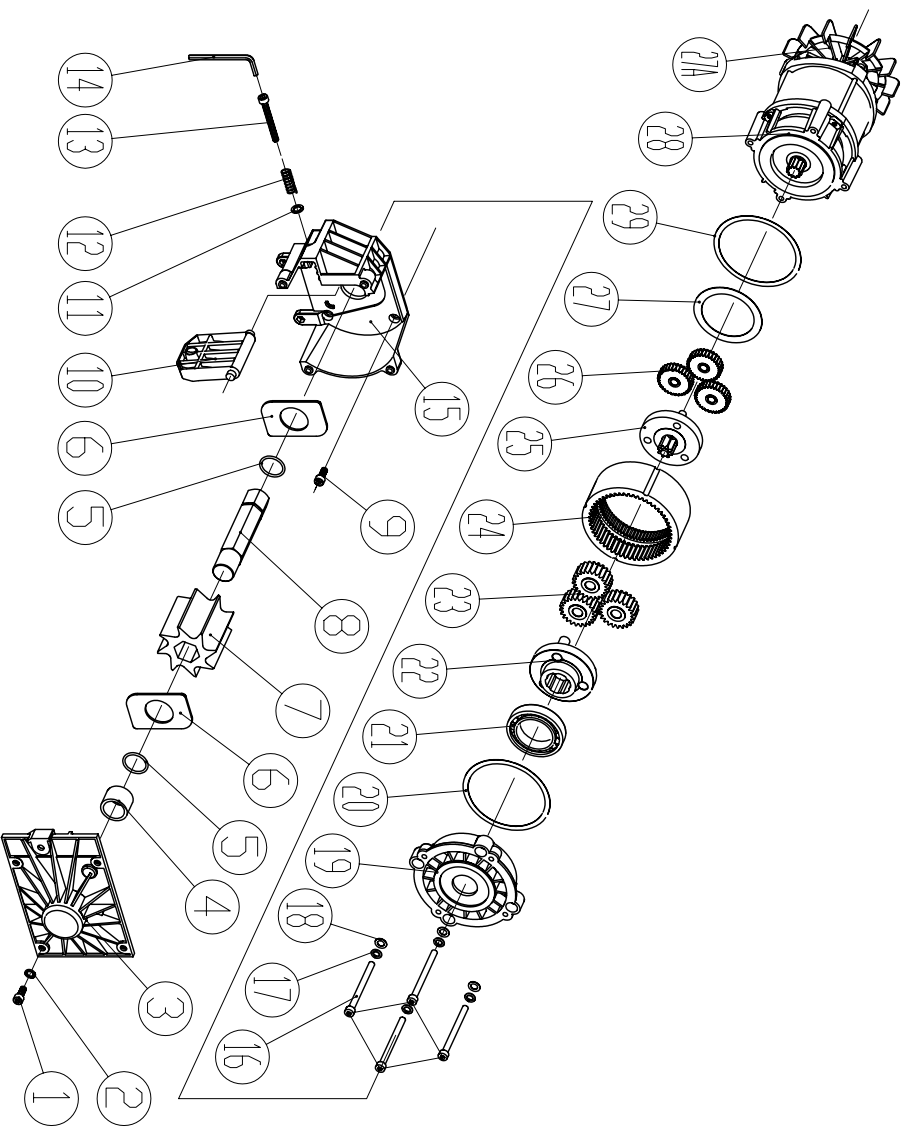


NO	SUMEC Part No	Description	Qty	Material	Weight	Remark
42	415009	big connection	2			
41	415004	front cover	1			
40	415005	funnel	1			
39	402802	ST4.2x16 screw	4			
38	415001	upper housing	1			
37	401802b	ST4.2x19 screw	2			
36	411815	ø4 washer	1			
35	401816	ø4 washer	1			
34	401815	ø4 spring washer	1			
33	411811	M4x10 screw	1			
32	415201	handle	1			
31	408805	M6 lock nut	4			
30	411810	ø6 washer	4			
29	415006	handle support block	2			
28	415801	M6x50 screw	4			
27	415204	motor fixed plate	1			
26	411803	M6x10 bolt	1			
25	411810	ø6 washer	1			
24	409810	M6 lock nut	2			
23	411804	M6x16 bolt	2			
22	411219	plate	1			
21	415003	left housing	1			
20	415002	right housing	1			
19	405808	ø5 washer	2			
18	411830	M5x12 screw	2			
17	411830	M5x12 screw	2			
16	401802b	ST4.2x19 screw	8			
15	415007	wheel cover	2			
14	408805	M8 lock nut	2			
13	411203	short sleeve	2			
12	415008	wheel	2			
11	411015	sleeve	4			
10	411821	ø10 washer	4			
9	411030	spomer bracket	1			
8	401806	ø8 washer	4			
7	411807	M8x40 allen screw	4			
6	411818	allen wrench(M8)	1			
5	411207	wheel axis	1			
4	411205	right bracket	1			
3	411206	long sleeve	1			
2	411016	block	2			
1	411204	left bracket	1			

45	412807	ST4.2x16 screw	2			
44	402802	ST4.2x16 screw	2			
43	415010	small connection	2			

NO	SUMEC Part No	Description	Qty	Material	Weight	Remark
SUMEC						
EXPLODE						
M1H-SB2.0						

1 2 3 4



No	SUMEC Part No.	Description	Qty	Material	Weight	Remark
27A	415013	fan	1			
29	411303	airproof washer	1			
28	411701	motor	1			
27	411209	washer	1			
26	411210	planet gear	1			
25	411211	planet wheel carrier	1			
24	411213	inner gear	1			
23	411212	planet gear	1			
22	411214	planet wheel carrier	1			
21	411601	bearing	1			
20	411301	airproof washer	2			
19	411101	front flange	1			
18	401820	washer	4			
17	411814	spring washer	4			
16	411808	allen screw	4			
15	411102	cutler champer	1			
14	411819	allen wrench	1			
13	411809	allen screw	1			
12	411222	spring	1			
11	411821	washer	1			
10	411104	cutting plate	1			
9	411806	allen screw	4			
8	411215	cutler shaft	1			
7	411217	cutler	1			
6	411216	spacer plate	2			
5	411302	O-ring	2			
4	411218	bearing bush	1			
3	411103	cutting champer cover	1			
2	411814	spring washer	4			
1	411806	allen screw	4			

SUMEC	
drive-unit assembly	

标志	文件号	签字	日期	图样标记	重量	比例
设计		审核				1:1
工艺		日期		共 3 页	第 2 页	

借通附件登记

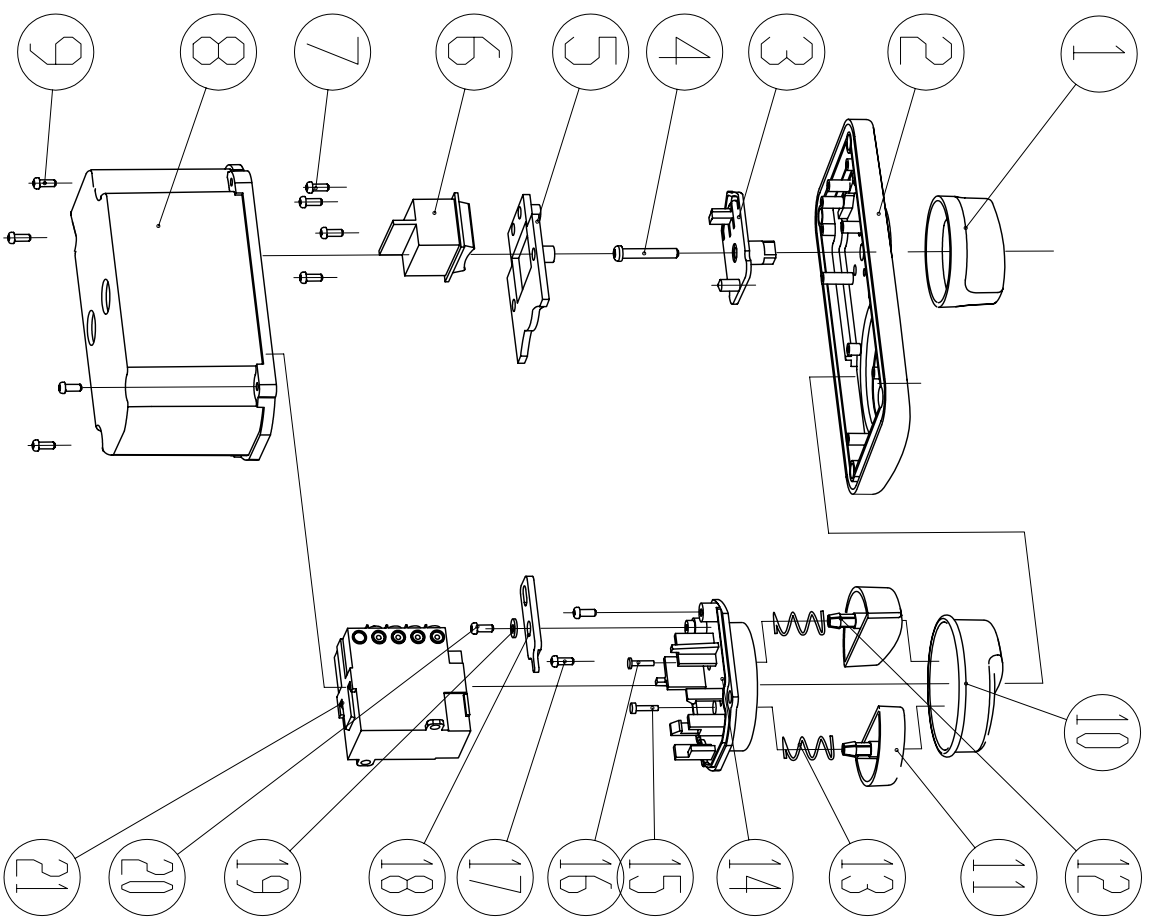
插图

夜描

回底图总号

签字

日期



No	SUMEC Part No	description	Qty	material	Weight	Mark
21	411705	electromagnetism switch	1			JD4 230V
20	408814	ST2.9X10 screw	1			GB845-85 F型
19	408816	ø3 washer	1			GB97.1-85
18	411028	limit board	1			
17	408814	ST2.9X10 screw	2			GB845-85 F型
16	411025	pole	1			
15	411024	pole	1			
14	415015	switch base	1			
13	411221	spring	4			
12	411019	stop button	1			
11	411018	start button	1			
10	411020	bottom cover	1			
9	500803	ST2.9X13 screw	4			GB845-85 F型
8	415014	switch box	1			
7	408814	ST2.9X10 screw	4			GB845-85 F型
6	411704	adjust switch	1			HW2 16(0A) 250V-5/4
5	415013	adjust switch base	1			
4	402811	ST4.2X25 screw	1			GB845-85 F型
3	411026		1			
2	415018	switch cover	1			
1	411022	knob				
No	SUMEC Part No	description	Qty	material	Weight	Mark

SUMEC

Switch box explode

M1H-SB2.0.2

借通用件登记
描 图
校 描
旧底图总号
签 字
日 期

标记/数量	更改文件号	标准号	签字	日期	图样标记	重量	比例
设计							1:1
审核							
工艺							
					共 3 页	第 3 页	