

Forest 45

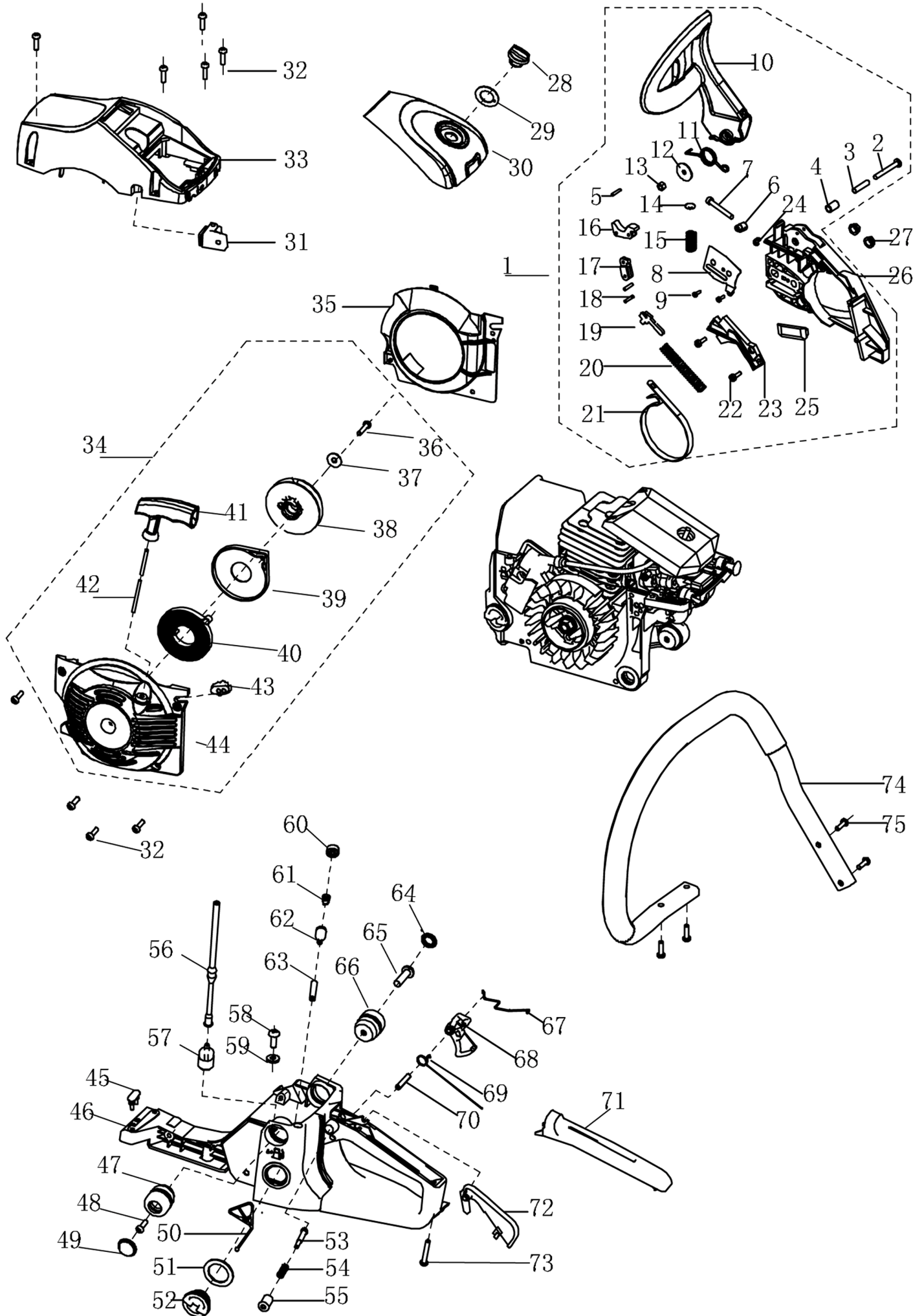


Fig 2 YD-KU04-45 Engine

No.	Part Number	Part Description	Qty.
1	YD45 .01. 02-1	cylinder	1
2	GB/T6186	nut M5	2
3	GB/T93	washer5	15
4	GB/T97.1	washer5	2
5	YD45. 01. 09-1	muffler cover plate	1
6	YD45. 01. 09.01-0	muffler body	1
7	YD45. 01 .00-2	muffler sealing plate	1
8	YD45. 01.00 -24	muffler connecting screw	2
9	GB/T70.1	screw M5x20	6
10	GB/T848	washer5	11
11	YD45.01.11.04-00	spark plug	1
12	YD45.01.02-2	air intake tube sealing plate	1
13	YD45.01.02.01-00	air intake tube	1
14	GB/T818	screw M5X12	4
15	YD45.01.00-17	hold coil	1
16	YD45.01.00-1	cylinder sealing plate	1
17	YD45.01.03-2	piston ring	2
18	YD45.01.03-1	piston	1
19	YD45.01.03-4	piston pin circlip	2
20	YD45.01.03-3	piston pin	1
21	YD45. 01. 03-5	needle bearing ring	2
22	YD45.01.03.01-00	crank shaft components	1
23	YD45.01.03.02-00	needle bearing 11x15x12.5	1
24	GB/T1099	semicircular key 3x3.5x10	1
25	YD45.00.00-4	conical spring base	1
26	YD45. 00. 00-3	conical spreader base	1
27	GB/T845	tapping screw ST5X16	4
28	YD45.00.00.01-00	chain shield	1
29	GB/T818	screw M5X16	1
30	YD45.01.01.02-2	aeration jet	1
31	YD45. 01. 01. 02-3	aeration jet circlip	1
32	YD45. 01. 00-22	sponge transition block	1
33	YD45. 01. 00-21	pinion rack	1
34	GB/T818	screw M5X10	5
35	YD45.01.00.04-2	oil filter screen	1
36	YD45.01.00.04-1	oil filter	1
37	YD45.01.00-12	oil tube	1
38	GB/T818	screw M4x14	2

No.	Part Number	Part Description	Qty.
39	YD45.01.15-00	oil pump	1
40	YD45.01.00-23	sponge transition coil	1
41	YD45.01.00-13		1
42	YD45.01.00-16	chain guide block	1
43	GB/T900		2
44	YD45.01.13.01-2	shoe block	3
45	YD45.01.13.01-1	retainer	1
46	YD45.01.13.01-3	clutch spring	1
47	YD45.01.00-19	clutch adjusting washer	1
48	YD45.01.00.10-00	needle bearing 12x15x14.5	1
49	YD45.01.13-1	clutch shell	1
50	YD45.01.00-26	sprocket	1
51	YD45.01.00.06-00	worm	1
52	YD45.01.00-15	cover plate	1
53	YD45.01.00.09-00	oil seal 15x28x4.5	1
54	GB/T276	bearing 6202D grade 15x35x11	1
55	YD45.01.00-8	cushion block	1
56	YD45.01.00-7	throttle rod fixation root	1
57	YD45.01.00.03-00	throttle rod	1
58	YD45.01.00-11	right shock block	1
59	YD45.01.00.07-00	shock seat	3
60	YD45.01.00.01-00	air intake tube support	1
61	YD45.01.00-4	tie plate	1
62	YD45.01.00-3	sealing plate of air intake s	1
63	YD45.01.00-14	air intake tube flange	1
64	YD45.01.06-00	carburetor	1
65	YD45.01.00.02-00	air intake socket	1
66	YD45.01.08-00	air filter	1
67	GB/T899		1
68	YD45.01.00-5	cushion of air intake socket	1
69	GB/T818	screw M5X50	2
70	YD45.01.01.02-1	left case	1
71	YD45.01.00-6	dust plate	1
72	GB/T119.2	pin 5x10	3
73	YD45.01.00-9	shock block2	1
74	YD45.01.11-2	ground strip	1
75	YD45.01.11.03-00	flameout switch	1
76	YD45.01.11-1	flameout switch socket	1

