



FOREST 41

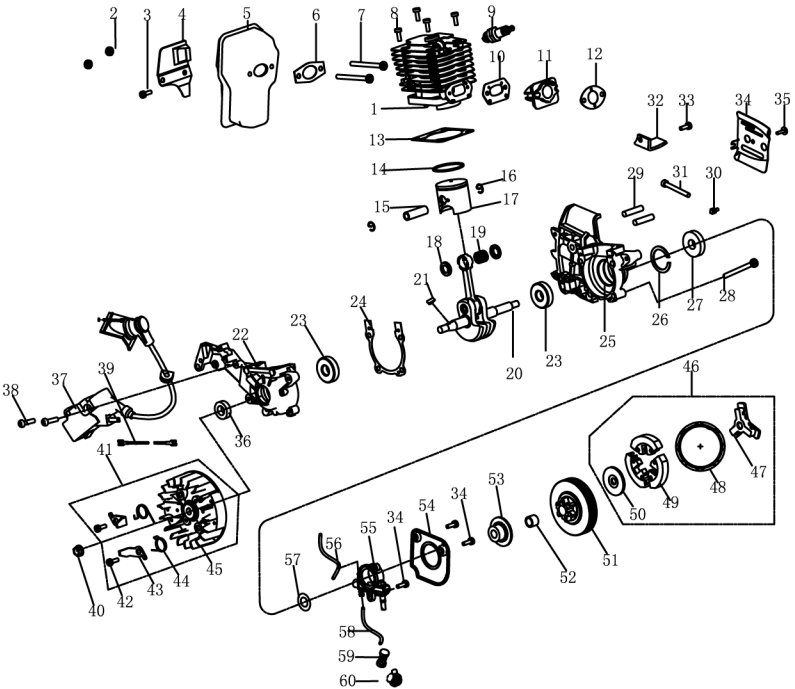
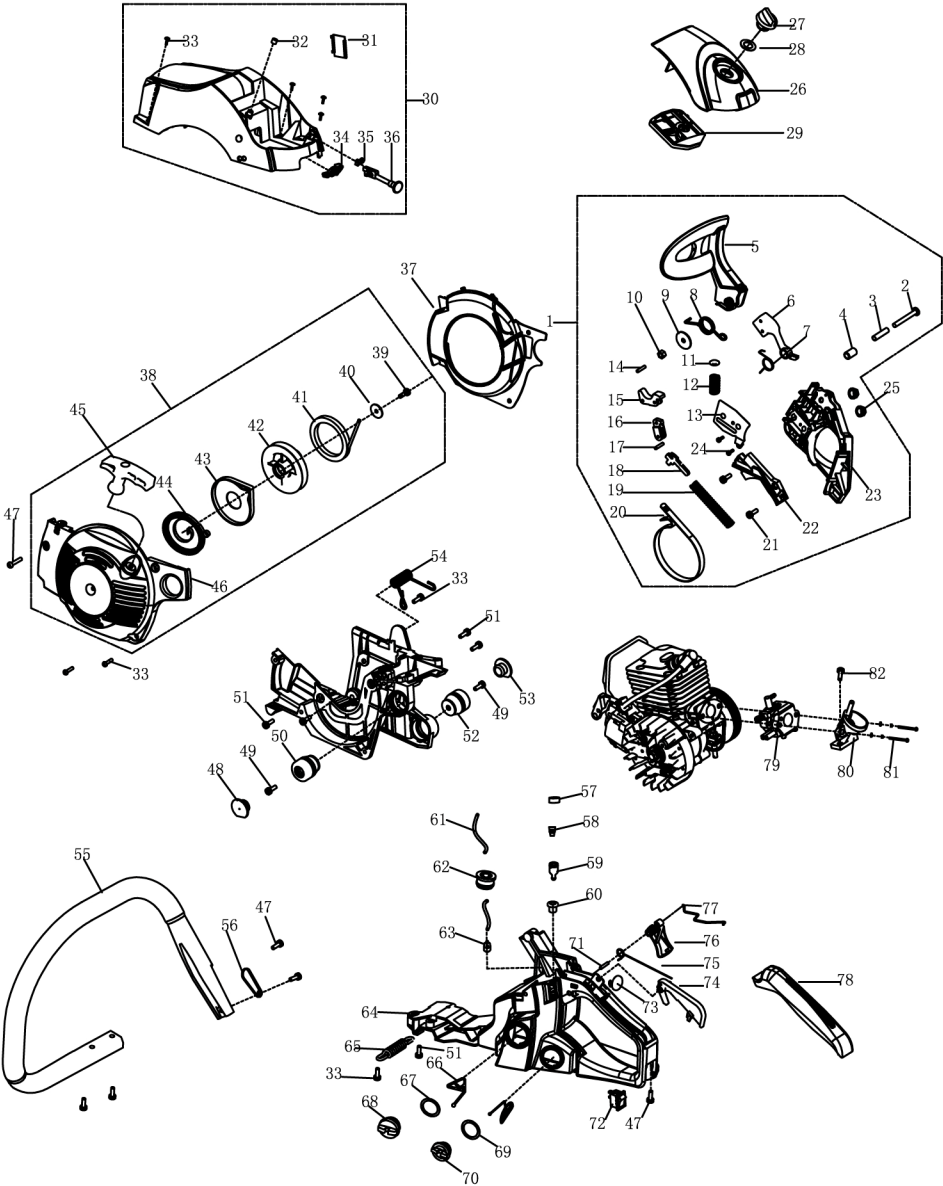
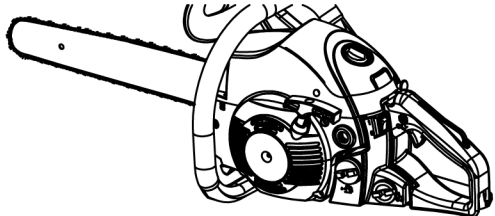




Fig No.	Part Name	Description	Q'ty
1	YD38-3.04.00-00	right cover assembly	1
2	YD38-3.04.00-16	screw M5X40	1
3	YD38-3.04.00-13	shield gland	1
4	YD38-3.04.00-12	heavy brock gland	1
5	YD38-3.04.00-2	front damper	1
6	YD38-3.04.02-00	heavy brock	1
7	YD38-3.04.00-7	heavy brock spring	1
8	YD38-3.04.00-9	brake torsion rod spring	1
9	YD38-3.04.00-14	washer 5.2x23x1.2	1
10	GB/T6185.1	lock-nut M5	1
11	YD38-3.04.00-6	spring base	1
12	YD38-3.04.00-5	front guard spring	1
13	YD38-3.04.00-15	tensioner cover plate	1
14	GB/T119.2	pin 3X14	1
15	YD38-3.04.00-4	main level	1
16	YD38-3.04.00-3	secondary pull-rod	1
17	GB/T119.2	pin 3X9	3
18	YD38-3.04.00-11	brake control rod	1
19	YD38-3.04.00-8	brake spring	1
20	YD45-3.04.00-10	brake strap	1
21	GB/T845	tapping screw ST4.2X12	2
22	YD38-3.04.00-1	brake spring cover plate	1
23	YD38-3.04.01-00	right cover	1
24	GB/T846	tapping screw ST4.2X9.4	2
25	GB/T6177.1	nut M8	1
26	YD38 -3.05.00-2	air filter cover	1
27	YD38-3.05.01-00	air filter lock nut	1
28	YD38-3.05.00-6	lock nut washer 15x26X	1
29	YD38.01.08.00-00	air filter	1
30	YD38-3.05.00-00	upper cover plate	1
31	YD38-3.05.00-5	anti-freeze block	1
32	YD38-3.05.00-4	shock block	1
33	GB/T845	tapping screw ST4.8X19	10
34	YD38-3.00.00-7	dust shield	1
35	YD38-3.00.00-11	throttle lever retaining br	1
36	YD38-3.00.00-10	throttle rod	1
37	YD38-3.02.00-1	bossing	1
38	YD38-3.02.00-00	start assembly	1
39	GB/T845	tapping screw ST 4.8 X	1
40	GB/T96	washer5	1
41	YD38-3.02.00-6	start stretching wire3 x 9	1
42	YD38-3.02.00-2	start plate	1
43	YD38-3.02.00-3	coil-spring gland	1

FOREST 41

Fig No.	Part Name	Description	Q'ty
44	YD38-3.02.00-5	start coil-spring	1
45	YD38-3.02.00-4	start handle	1
46	YD38-3.02.01-00	start cover	1
47	GB/T845	tapping screw ST 4.8X25	6
48	YD38-3.00.00-9	dust cover	1
49	GB/T845	tapping screw ST 4.8X16	2
50	YD38-3.06.04-00	cushion socket	1
51	GB/T818	screw M5X14	5
52	YD38-3.06.03-00	cushion socket	1
53	YD38-3.00.00-8	dust cover	1
54	YD38-3.00.00-4	front handle spring	1
55	YD38-3.00.00-1	front handle	1
56	YD38-3.00.00-13	torsion rod spring cover plate	1
57	YD38-3.03.00-15	balancer cover	1
58	YD38-3.03.00-14	balancer rubber	1
59	YD38-3.03.00-13	balancer body	1
60	YD38-3.03.00-3	balancer root	1
61	YD38-3.03.00-1	fuel tube	1
62	YD38-3.03.00-2	tube root	1
63	YD38-3.03.04-00	petrol filter components	1
64	YD38-3.03.01-00	base	1
65	YD38-3.00.00-5	base spring	1
66	YD38-3.03.03-2	anti-drop plate	1
67	YD38-3.03.02-3	packing washer 24 X 34 X1.	1
68	YD38-3.03.02-1	petrol cover	1
69	YD38-3.03.03-3	packing washer 24X30X2	1
70	YD38-3.03.03-1	oil cover	1
71	GB/T119.2	pin 5 X 24	1
72	YD38-3.01.11.04-0	extinction switch	1
73	YD38-3.03.00-4	front cap	1
74	YD38-3.03.00-9	trigger control rack	1
75	YD38-3.03.00-8	trigger torsion rod spring	1
76	YD38-3.03.00-7	trigger	1
77	YD38-3.00.00-6	throttle	1
78	YD38-3.03.00-10	handle cover	1
79	YD38-3.01.06.00-0	carburetor	1
80	YD38-3.01.00.02-0	air intake socket	1
81	YD38-3.01.00-17	carburetor screw	2
82	YD38-3.01.00.02-1	air intake socket screw	1
83			
84			
85			

