



# Exploded Diagram SG 230



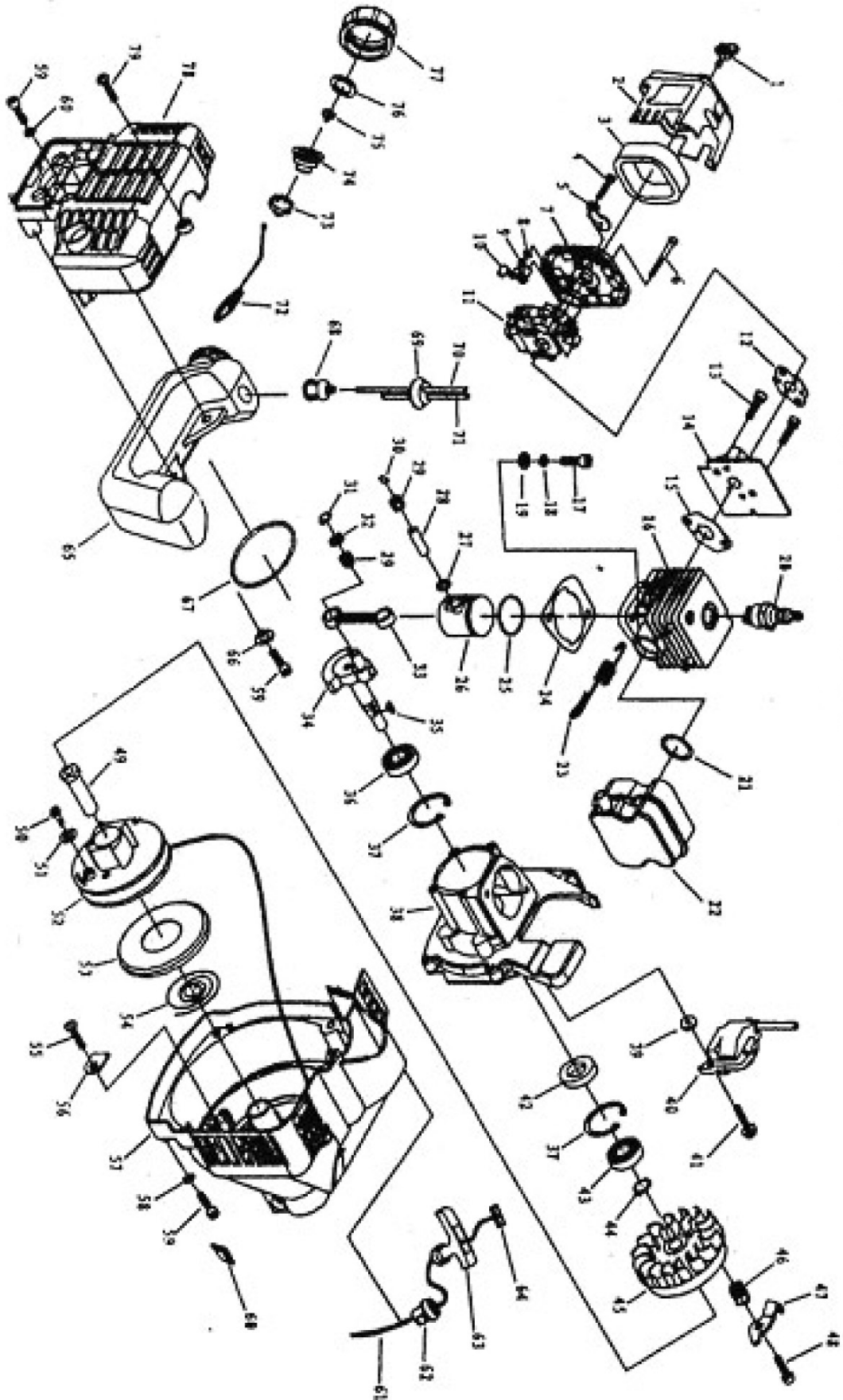
## SG230

Product Category: Trimmer  
Product Group: Petrol  
Displacement: 22cc

Page: 1 of 5

Versión: 1  
Published: 01-03-2010

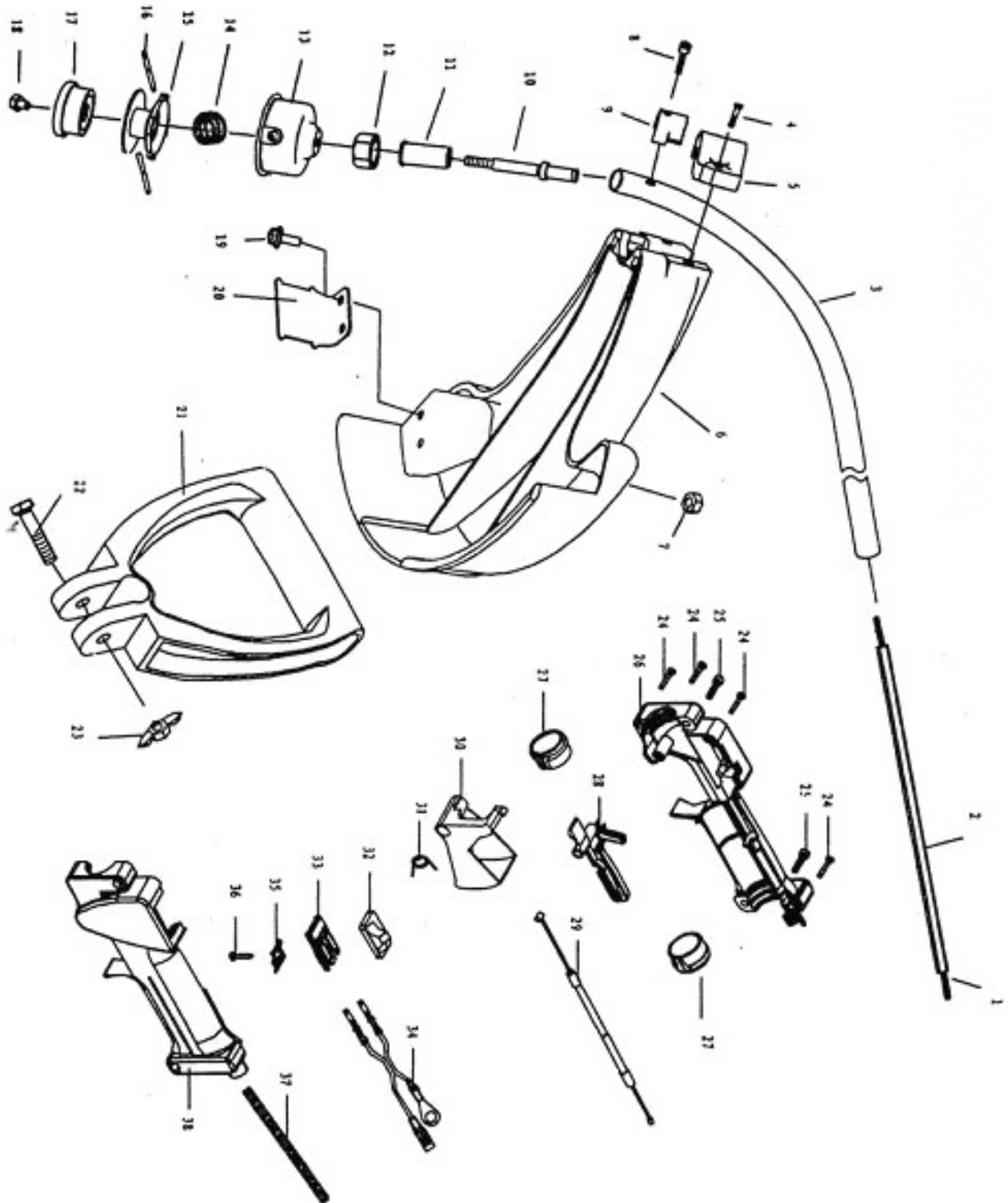
**FIG 1.**



## FIG 1.

	Description	Q.	Pos.	Reference	Description	Q.	
1	1E34F.1.2	Screw	1	40	1E32F-2.3-1	Electronic	1
2	1E34F.1-4	Air filter housing	1	41	GB/T9074.4	Screw M4x30	2
3	1E34F.1-1	Air Filter	1	42	1E32F-2.5.1	Oil Retainer	1
4	GB/T845	Screw ST4 2x12F	1	43	GB/T 276	276 Bearing 6001-LS/P6	1
5	1E34F.1-3	Lever	1	44	GB/T 894.1	894.1 Separator	1
6	GB/T9074.4	Screw M5x50	2	45	1E32F-2.3-2	Magnetic flywheel	1
7	1E34F.1.1	Filter holder	1	46	1E32F-2.3-4	hook	2
8	GB/T6172	Nut M4	1	47	1E32F-2.3-3	Support puppy	2
9	1E34F.1-7	Sheet metal	1	48	GB/T109	Screw 5x18	2
10	1E32FL.1-2	Air Lever	1	49	1E32F-2-11	Axis Connector	1
11	1E32FL.7	Carburetor	1	50	GB/T5282	5x6 5F screw ST3	1
12	1E34F-1 <sup>a</sup>	gasket	1	51	1E32F-2.4-7	Washer	1
13	GB/T9074.4	Screw M5x50	2	52	1E32F-2.2-5	Pulley	1
14	1E32F-2-1	Collector admission	1	53	1E32F-2.2-4	Top pulley	1
15	1E32F-2-2	Admission Board	1	54	1E32F-2.2-3	Spring pulley	1
16	1E32F-2-3	Cylinder	1	55	GB/T845	Screw ST4 8x16F	2
17	GB/T70.1	Screw M6x20	2	56	1E32F-2.2-1	Rope Top	2
18	GB/T93	Washer	2	57	1E32F-2.2-2	Front cover	1
19	GB/T848	Washer	2	58	GB/T848	Washer 5	8
20	L6	Spark Plug	1	59	GB/T70.1	Screw M5x20	10
21	1E32F-2-5	Exhaust gasket	1	60	SG230-1	Rubber	1
22	1E32F-2.1	Escape	1	61		Boot rope	1
23	1E32F-2-4	Spring	2	62	1E32F-2.2-6	Ring	1
24	1E32F-2-8	carter Gasket	1	63	1E36F.1-1	Handle	1
25	1E32FL.3-1	Segment	1	64	1E36F.1-5	Top rope	1
26	1E32F-2.4-1	Piston	1	65	1E32F-2.6-1	Fuel Tank	1
27	1E34F.6-1	Ring	2	66	1E32F-2-10	Sheet metal	2
28	1E32F-2.4-3	Bolt	1	67	1E32F-2-9	Board carter	1
29	1E34F.6-4	Bearing	2	68	1E34F.9.2-3	Fuel Filter	1
30	1E32F-2.4-2	Ring	2	69	1E36FF.8.1-1	Passing-tube	1
31	GB/T894.1	Retainer	1	70	Tubo	Fuel output	1
32	1E32F-2.4-5	Washer	1	71	Tubo	fuel input	1
33	1E32F-2.4-4	Connecting rod	1	72	1E32FL.6.2-4	Chain stopper	1
34	1E32F-2.4.1	Crankshaft	1	73	1E32FL.6.2-3	Cover	1
35	GB/T1099	Key 3x5x13	1	74	1E32FL.6.2-2	Valve	1
36	GB/T 276	Bearing 6001/P6	1	75	EB-415.4.1.1-1	Close valve	1
37	GB/T 893.1	Detention Center	2	76	CG420.1.3.1-2	Rubber washer	1
38	1E32F-2.5-1	Carter	1	77	1E32FL.6.2-1	Tank cap	1
39	1E32F-2-6	Washer	2	78	1E32F-2-7	Back cover	1
				79	GB/T845	Screw ST4 8x22-F	1

**FIG 2.**



**FIG 2.**

Pos.	Reference	Description	Q.
1	CG230E.2.1	Nut	1
2	CG230E.2-2	Rubber Protection	1
3	CG230E.2-1	Transmission Pipe	1
4	GB/T9074.13	Screw M5X25	2
5	CG260E-6	Collar Protector	1
6	CG260E-5	Protector	1
7	GB/T889.1	Nut M5	2
8	GB/T9074.4	Screw M5X10	1
9	CG230E-3	Stopper	1
10	CG230E.2-3	Screw	1
11	CG230E.2-4	Sheet Metal	1
12	CG230E.2-5	Nut	1
13	CG230E.3.1	Superior Head	1
14	CG230E.3-3	Spring	1
15	CG230E.3-2	Porta Thread	1
16	CG230E.3-4	Thread 1.8X2500	2
17	CG230E.3.2	Lower Head	1
18	CG230E.3.1-	Nut M8	1
19	GB9074.4	Screw M5X16	2
20	CG305F.11-1	Blade	1
21	CG230E-1	Handle	1
22	GB/T5782	Screw M6X40	1
23	GB/T62	Nut M6	1
24	GB/T845	Screw St3.5X19	4
25	GB/T70.1	Screw M5X18	2
26	SG230E.1-1	Right Handlebar	1
27	SG230E.1-7	Adapter	2
28	SG230E.1-4	Safety Button	1
29	SG230E.1.1	Accelerator Cable	1
30	SG230E.1-5	Button Accelerator	1
31	SG230E.1-6	Spring	1
32	SG230E.1.2-	Stop Button	1
33	SG230E.1.2-	Stop Switch	1
34	SG230E.1.2.	Stop Cable	1
35	SG230E.1.2-	Switch Plate	1
36	GB/T845	Screw St2 9X13	1
37	SG230.1-3	Tube	1
38	SG230E.1-2	Left Handlebar	1