



# Exploded Diagram BesT 520A

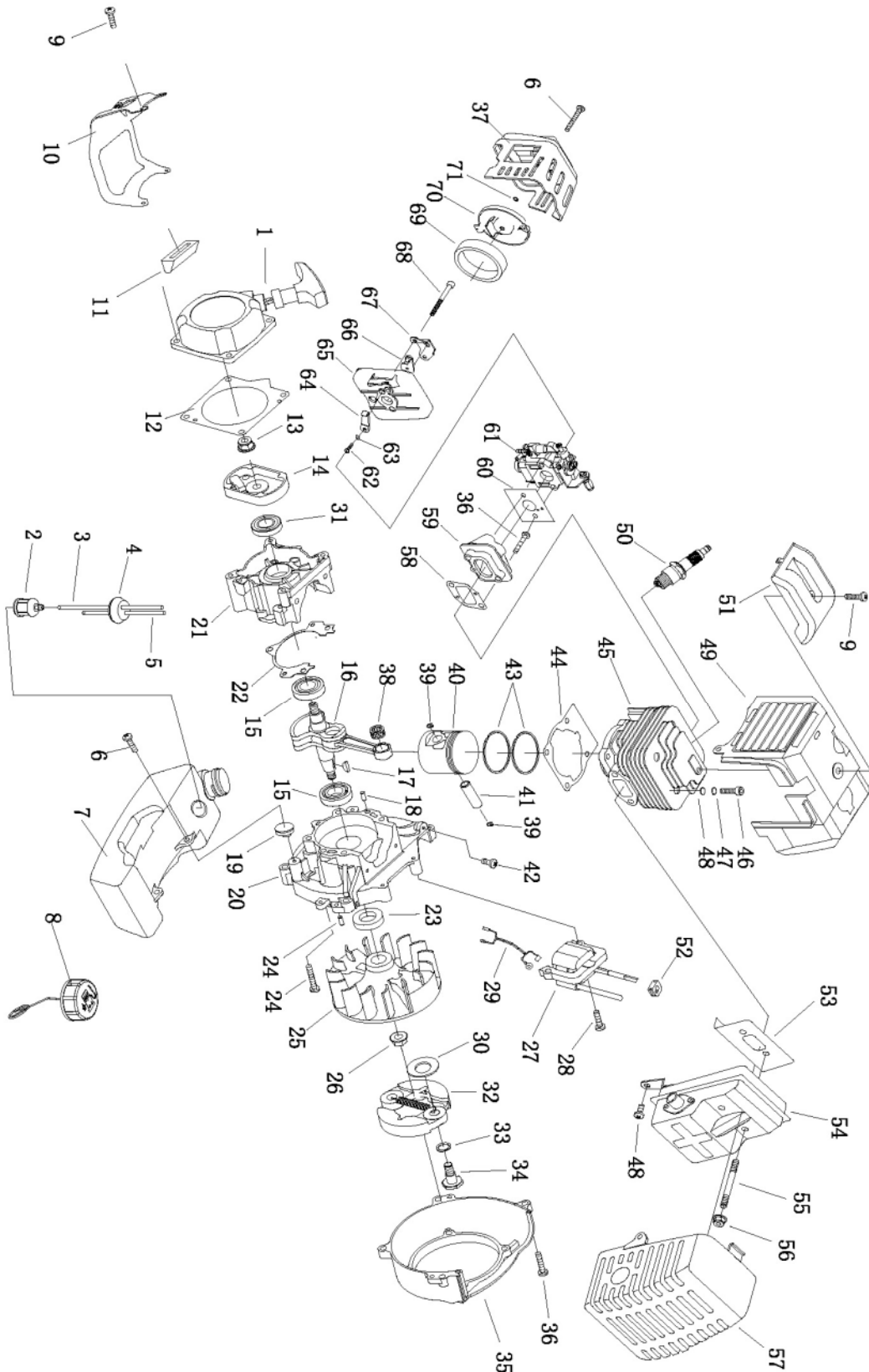


## Best 520A

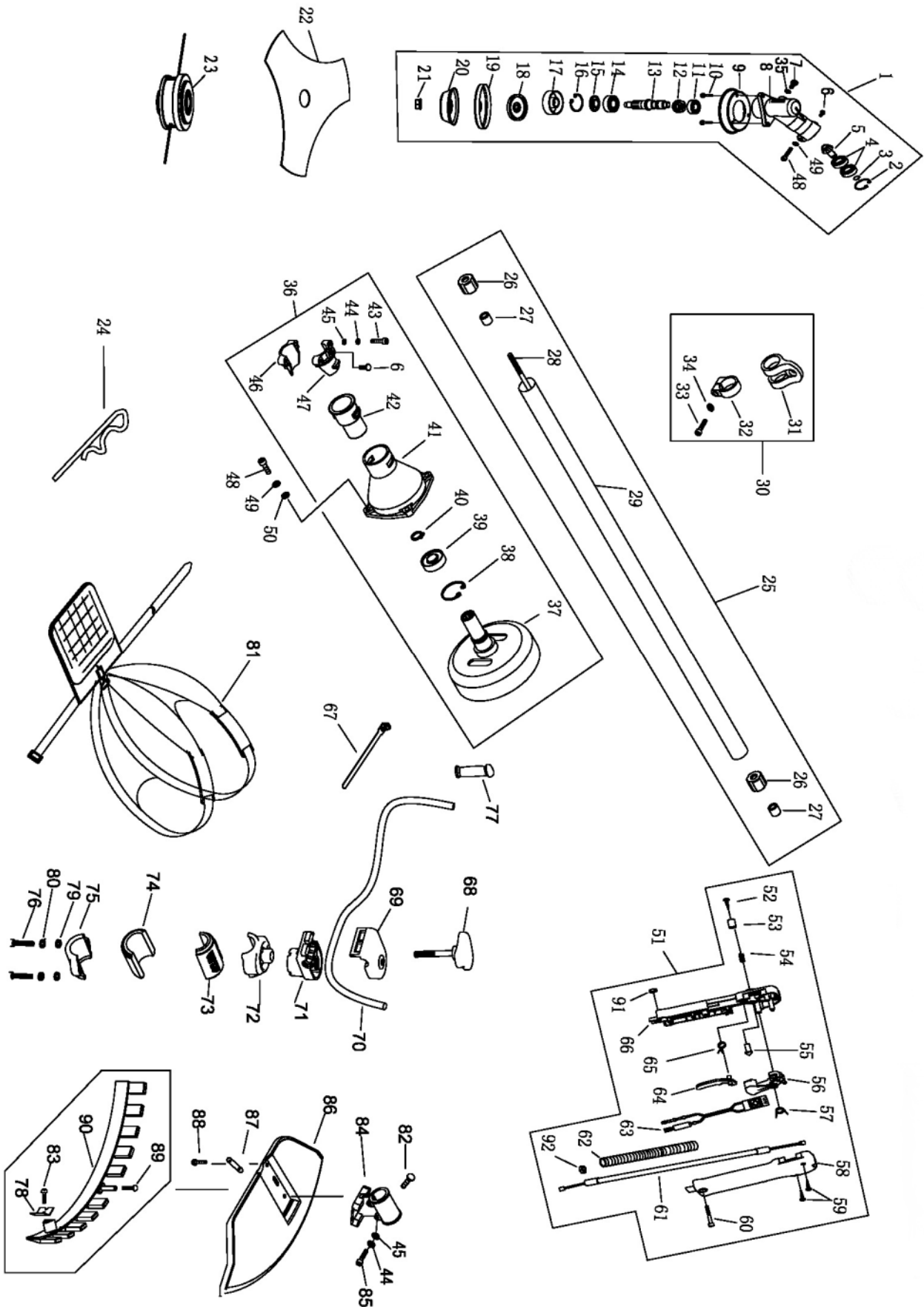
Product Category: Brushcutter  
Product Group: Petrol  
Displacement: 51.7 cc

Page: 1 of 5

Versión: 1  
Published: 01-01-2010



Num	Referencia		Cant		Num	Referencia		Cant
1	GB/T67	screw	1		49	1E40FP-3Z.3-5	Ring,piston	2
2	1E40F-5.11-2	Washer	1		50	1E40F-5-6	Gasket,cylinder	1
3	1E40F-5.11-1	Puley	1		51	1E40F-5-4	Cylinder	1
4	CG62250004	cord	1		52	GB/T70	bolt	4
5	1E40FP-3Z.4-7	spring	1		53	1E40F-5.5	Housing	1
6	1E40F-5.11.1	Start cover	1		54	7199240010	Spark plug	1
7	1E40FP-3Z.4-2	knob	1		55	1E40F3A.8-2	conector	1
8	1E40FP-3Z.4-10	washer	1		56	1E34F.5-3	Spark pulg protector	1
9	GB/T9074.4	screw	5		57	1E34F.5-2	Spark Plug pipe	1
10	1E40F-5A-4	Plate	1		58	1E40F-5-8	Cover	1
11	1E40F-5A-2	rubber	1		59	1E40F-5.3-1	wire bypass	1
12	1E40F-5-10	Starter Gasket	1		60	1E40F-5-5	Gasket,muffler	1
13	GB/T6170	Washer	1		61	1E40F-5.2	Muffler assy	1
14	1E46FP.4-2	Starter catch	1		62	1E40F-5-13	Bolt	2
15	1E36F.1.2-2	Spring catch	1		63	GB/T6177	Nut	2
16	1E40F-5.7-1	Catch cover	1		64	1E40F-5-7	Muffler cover	1
17	GB/T896	Clip	1		65	1E40F-5-2	Gasket,insulator	1
18	1E36F.2	oil seal	1		66	1E40F-5A.2	Insulator	1
19	1E40F-5.8-2	Rear crankcase	1		67	1E40F-5A-1	Gasket,carburetor	1
20	1E40F-5.8-4	Gasket,crankcase	1		68	1E40F-5A.8	Carburetor comp	1
21	GB/T276	Bearing	2		69	GB/T845	bolt	1
22	1E40F-5.4.1	Crank shaft assy	1		70	GB/T97.1	washer	1
23	GB/T1099	Woodruff key	1		71	1E40F-%A.1.1-1	lever	1
24	GB/T119	guide	2		72	1E40F-%A.1.1.1	Base, cleaner	1
25	1E40F-5A-3	Tapa ventilador	2		73	1E40F-%A.1.1-2	choke	1
26	1E40F-5.8-1	Front crankcase	1		74	1E40F-%A.1.2	aire cut	1
27	1E40F-5.8-3	plate	1		75	GB/T97.1	washer	2
28	GB/T119	guide	2		76	GB/T93	washer	2
29	1E40F-5.9	Oil seal	1		77	GB/T70.1	bolt	2
30	GB/T9074.13	Screw	4		78	1E34F.1-1	Air filter element	1
31	1E40F-5.3A	Rotor	1		79	1E40F-5A.1-2	Filter support	1
32	GB/T6177	Washer	1		80	GB/T3452.1	case	1
33	1E40F-5.3	Ignition coil comp	1		81	1E40F-5A.1-1	Cover, cleaner	1
34	GB/T9074.13	screw	2		82	GB/T9074.4	bolt	3
35	1E36F-2.3.1	wire	1		83	1E40F-5.11	Arrancador	1
36	TL-1E36F-3	Washer	2		84	1E34F.9.2-3	Fuel filter comp	1
37	1E40F-5.6-1	Clutch assy	1		85	1E40F-5A.4.2-2	Pipe	1
38	1E40F-5.6.1	see 37	2		86	1E36FF.8.1-1	Pipe bypass	1
39	1E40F-5-11	Washer	2		87	1E40F-5A.4.2-2	pipe	1
40	1E40F-5-12	Clutch bolt	2		88	1E40F-5A.4.1	Fuel tank	1
41	1E40F-5-9	Flywheel cover	1		89	See-93		1
42	GB/T9074.13	Bolt	4		90	See-93		1
43	1E40F-3A.9	Clip	1		91	See-93		1
44	1E40F-5.4-2	Needle bearing	1		92	EB415.4.1.1-2	gasket	1
45	1E40F-03.02.01	Ring, snap	2		93	EB415.4.1	Cap,fuel tank	1
46	1E40F-5.4-1	Piston	1		94			
47	1E46FP.6-3	Pin,piston	1		95			
48	GB/T9074.4	screw	3		96	1E40F-5.10-1	bypass	1
					97	1E40F-5.10-2	brace	1





# Exploded Diagram

## BesT 520A

Num	Reference	Description	Qty		Num	Reference	Description	Qty
1	78BT520A-2-1	Gear case Set	1		48	78BT520A-2-48	harness	1
2	78BT520A-2-2	See 78BT520A-2-1	1		49	78BT520A-2-49	Bridle	3
3	78BT520A-2-3	See 78BT520A-2-1	1		50	78BT520A-2-50	screw	4
4	78BT520A-2-4	See 78BT520A-2-1	2		51	78BT520A-2-51	bracket	1
5	78BT520A-2-5	See 78BT520A-2-1	1		52	78BT520A-2-52	case	1
6	78BT520A-2-6	See 78BT520A-2-1	2		53	78BT520A-2-53	washer	4
7	78BT520A-2-7	Washer	2		54	78BT520A-2-54	lower cap	1
8	78BT520A-2-8	Screw cap	2		55	78BT520A-2-55	washer	6
9	78BT520A-2-9	See 78BT520A-2-1	1		56	78BT520A-2-56	upper cap	1
10	78BT520A-2-10	safety guard	1		57	78BT520A-2-57	Screw cap	4
11	78BT520A-2-11	Screw safety guard	3		58	78BT520A-2-58	stihl handle right	1
12	78BT520A-2-12	See 78BT520A-2-1	1		59	78BT520A-2-59	stihl handle left	1
13	78BT520A-2-13	See 78BT520A-2-1	1		60	78BT520A-2-60	rubber handle	1
14	78BT520A-2-14	See 78BT520A-2-1	1		61	78BT520A-2-61	case	1
15	78BT520A-2-15	See 78BT520A-2-1	1		62	78BT520A-2-62	lever assy	1
16	78BT520A-2-16	See 78BT520A-2-1	1		63	78BT520A-2-63	screw	1
17	78BT520A-2-17	holder	1		64	78BT520A-2-64	button	1
18	78BT520A-2-18	holder	1		65	78BT520A-2-65	spring	1
19	78BT520A-2-19	washer	1		66	78BT520A-2-66	lock pin	1
20	78BT520A-2-20	left nut	1		67	78BT520A-2-67	hand grip	1
21	78BT520A-2-21	bolt	2		68	78BT520A-2-68	spring	1
22	78BT520A-2-22	blade	1		69	78BT520A-2-69	right box	1
23	78BT520A-2-23	Clutch Set	1		70	78BT520A-2-70	screw ST3.5X16	2
24	78BT520A-2-24	clutch drum assy	1		71	78BT520A-2-71	screw M5X30	1
25	78BT520A-2-25	stop ring	1		72	78BT520A-2-72	cable comp	1
26	78BT520A-2-26	bearing 6202-2rs/p5	1		73	78BT520A-2-73	tube	1
27	78BT520A-2-27	stop ring	1		74	78BT520A-2-74	stop line	1
28	78BT520A-2-28	clutch case	1		75	78BT520A-2-75	hand grip	1
29	78BT520A-2-29	rubber gasket	1		76	78BT520A-2-76	spring	1
30	78BT520A-2-30	screw	4		77	78BT520A-2-77	left box	1
31	78BT520A-2-31	washer	2		78	78BT520A-2-78	screw M5X12	1
32	78BT520A-2-32	washer	2		80	78BT520A-2-80	bracket	1
33	78BT520A-2-33	bracket top	1		81	78BT520A-2-81	screw M5X30	2
34	78BT520A-2-34	bracket down	1		82	78BT520A-2-82	safety guard	1
35	78BT520A-2-35	screw	4		83	78BT520A-2-83	spacer	2
36	78BT520A-2-36	washer	4		84	78BT520A-2-84	screw	4
37	78BT520A-2-37	washer	4		85	78BT520A-2-85	screw st4.2x16	1
38	78BT520A-2-38	harness clamp set	1		86	78BT520A-2-86	blade cover	1
39	78BT520A-2-39	See-2-38	1		87	78BT520A-2-87	screw st4.2x12	2
40	78BT520A-2-40	See-2-38	1		88	78BT520A-2-88	cut-off knife	1
41	78BT520A-2-41	See-2-38	1		89	78BT520A-2-89	nylon cutter head	1
42	78BT520A-2-42	See-2-38	4		90	78BT520A-2-90	See-2-89	1
43	78BT520A-2-43	Transmission set	1		91	78BT520A-2-91	See-2-89	1
44	78BT520A-2-44	Silentblock	6		92	78BT520A-2-92	See-2-89	1
45	78BT520A-2-45	case	6		93	78BT520A-2-93	See-2-89	1
46	78BT520A-2-46	drive shaft	1		94	78BT520A-2-94	See-2-89	1
47	78BT520A-2-47	pipe	1		95	78BT520A-2-95	See-2-89	1
					96	78BT520A-2-96	See-2-89	1