



Exploded Diagram GAS 260



GAS 260

Product Category: Blower
Product Group: Petrol
Displacement: 26cc

Page: 1 of 5

Versión: 1
Published: 01-03-2010

FIG 1

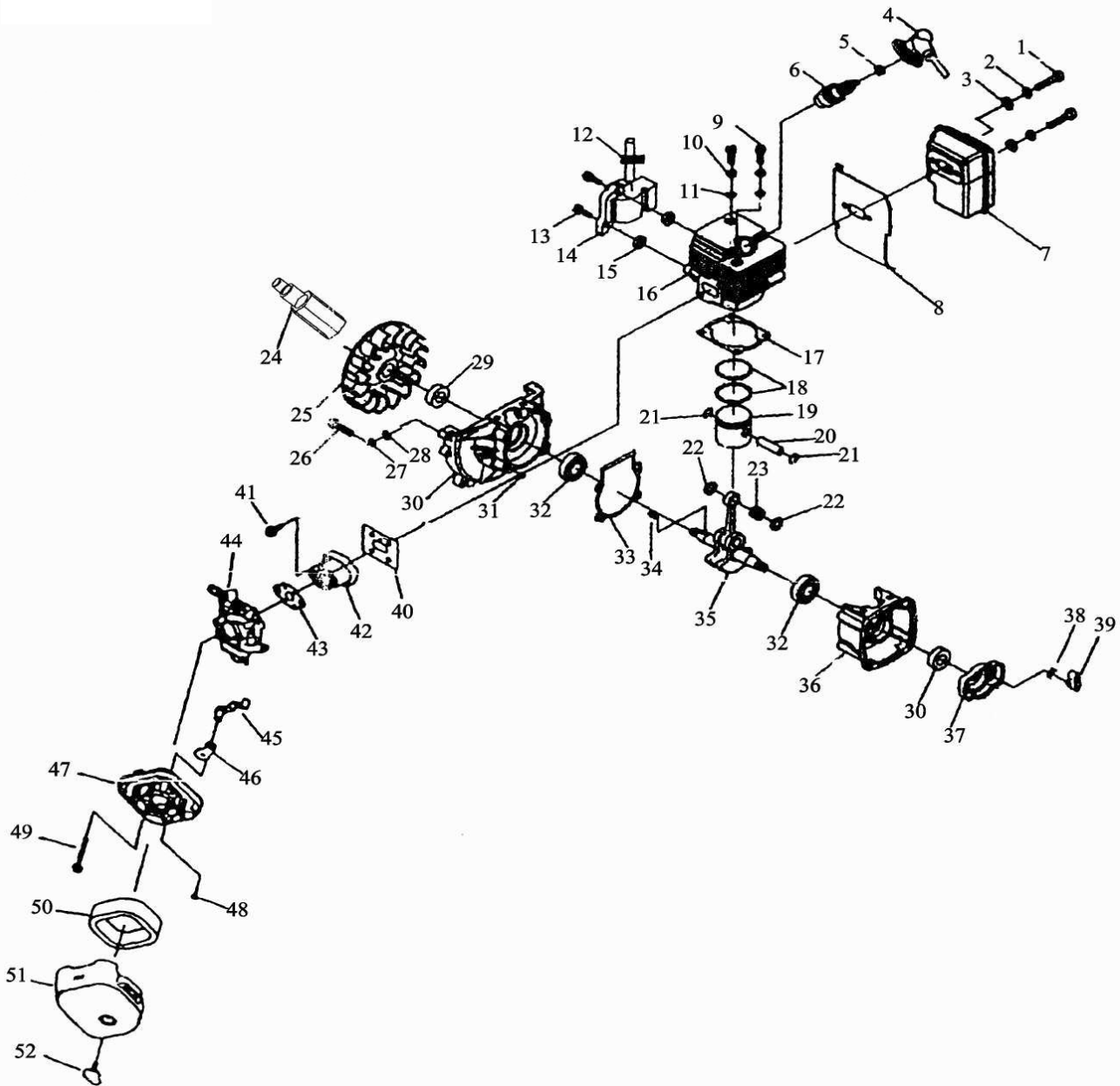


FIG 1

Pos.	Reference	Description	Qty.	Pos.	Reference	Description	Qty.
1	GB70.1	M5×55 SCREW	2	27	GB93	Φ 5 WASHER	4
2	GB93	Φ 5 WASHER	2	28	GB9	Φ 5 WASHER	4
3	GB96	Φ 5 WASHER	2	29	1E34F.2	OIL SEAL	2
4	1E34F.6	PLUG	1	30	1E34F.7-1	FRONT HALF CRANK CASS	2
5	1E34F.6-1	CLCK SPING	1	31	GB119	B3×10 ANNUL	2
6	1E34F.12	PLUG	1	32	GB276	6001/P5 BALL BEARING	2
7	1E34FB-2	MUFFLER	1	33	1E34F.5.2	CRANK CASE CASKET	1
8	1E34FB-3	SLAD	1	34	1E34F-7	KEY	1
9	GB70.1	M5×20 SCREW	2	35	1E34F.6.1	CRANK SHAFT COMP	1
10	GB	Φ 5 WASHER	2	36	1E34F.7-3	REAR HALF CEAND CASS	1
11	GB	Φ 5 WASHER	2	37	1E34F.8.1	STARTER PULLEY	1
12	1E34FB.5-1	RUBBER PLUG	1	38	1E34F.8-2	STARTER PAWL SPRING	1
13	GB9074.4	M4×20 SCREW	2	39	1E34F.8-1	STARTER PAWL	1
14	1E34FB.5	MAGNBTO STATOR	1	40	1E34F-2	CYLINDER WASHER	1
15	1E34FB.5-1	HEAT UNSULATION PAD	2	41	GB9074.4	SCREW	2
16	1E34FB-1	CYLINDER	1	42	1E34F.4	INLET MANIFOLD	1
17	1E34F-9	CYLINDER WASHER	1	43	1E34F-1	CUARNIZIO FILTRO	1
18	1E34F.6-5	PISTON RING	2	44	WYJ10.5	CARBURATOER	1
19	1E34F.6-6	PISTON RING	1	45	1E34F.1-2	LEVETTA STARTER	1
20	1E34F.6-3	PISTON PIN	1	46	1E34F.1-3	FRAFALLA STARTER	1
21	1E34F.6-2	PISTON PIN CIRCLET	2	47	1E34F.1.1	BASE FILTRO	1
22	1E34F.6-1	STOP RING	2	48	GB845	VITA	1
23	1E34F.6-4	NEEDLE BEARING	1	49	GB9074.4	VITA	2
24	1E34FB-4	CONNECTING SHAFT	1	50	1E34F.1-1	ELEMENTO FILTRO	1
25	1E34F.5.1	MAGNBTO ROTOR	1	51	1E34F.1-4	COPERCHIO FILTRO	1
26	GB70.1	M5×25 SCREW	4	52	1E34F.1.2	BIG A BOLT	1

FIG 2

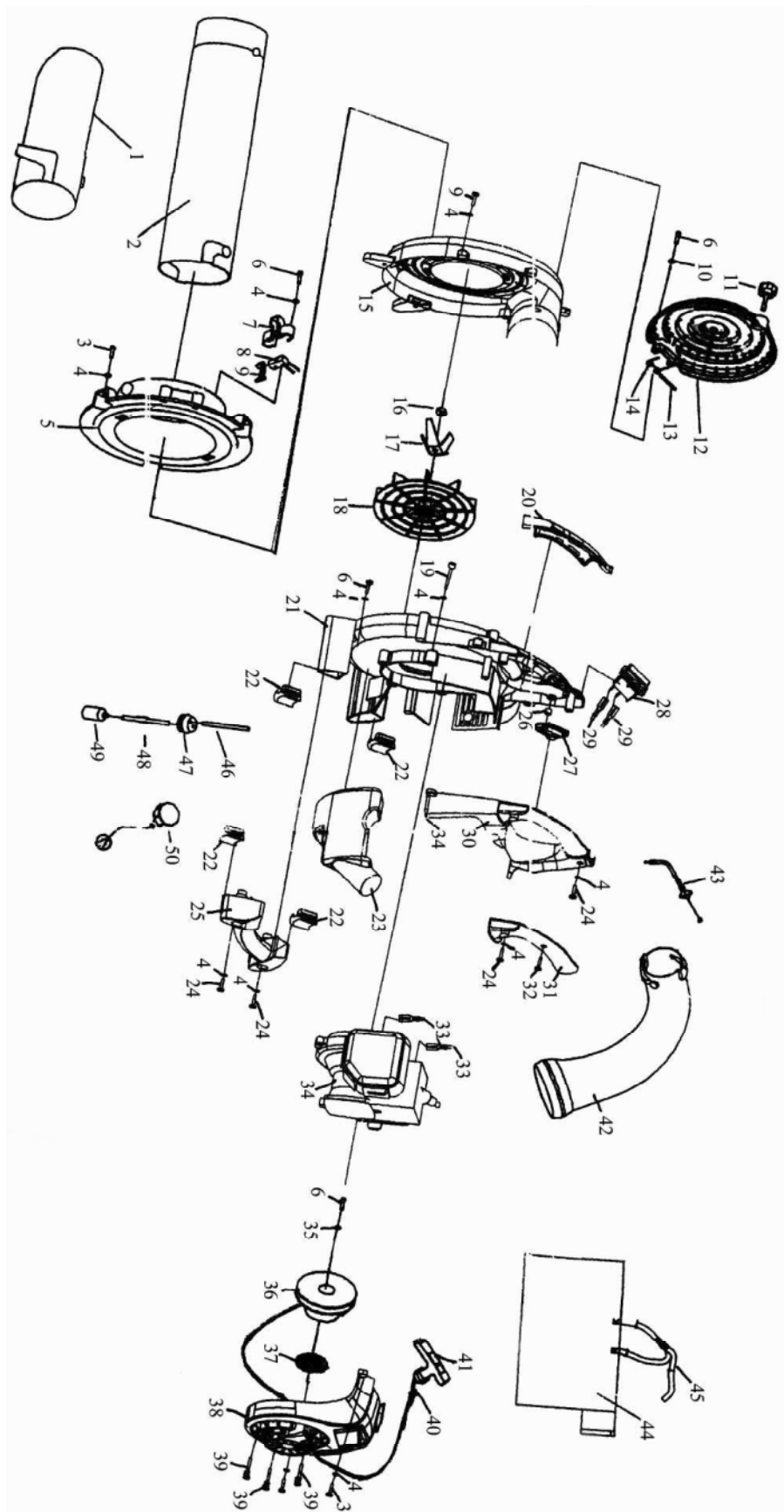


FIG 2

Pos.	Reference	Description	Qty.	Pos.	Reference	Description	Qty.
1	EBV260-11	INHALE PIPE NO.1	1	26	EBV260-3	THROTTLE LEVER SHAFT	1
2	EBV260-12	INHALE PIPE NO.2	1	27	EBV260-9	THROTTLE LEVER HANDLE	1
3	GB818	SCREW M5×16	14	28	EBV260.1	STOP SWITCH COMP	1
4	GB96	WASHER 5	26	29	EBV260.10	SHORT STOP WIRE	2
5	EBV260.14	CONNECT COVER	1	30	EBV260-4	UPPER HANGLE	1
6	GB818	SCREW M5×10	4	31	EBV260-15.2	RIGHT HANGLE RUBBER COVER	1
7	EBV260.11	CONNECTER SAFETY COVER	1	32	GB845	ST4.2×10	1
8	EBV260.15	SAFETY SWITCH	1	33	EBV260.4	STOP WIRE	2
9	EBV260.2	BUTTON CONNECTER	1	34	1E34FB	GASOLING ENGING	1
10	EBV260.8-1	WASHER 6	1	35	GB96	WASHER 5	1
11	1E34F.1-2	SCREW	1	36	1E34F.11-1	STARTER POPE REEL	1
12	EBV260.8	FAN NET COVER	1	37	1E34F.11-2	COLE SPRING	1
13	EBV260-7	WREST SPRING SHAFT	1	38	EBV260.9	SAFETY COVER	1
14	EBV260-6	WREST SPRING	1	39	GB9074.4	SCREW M4×30	3
15	EBV260.7	REAR COCHLEA CASS	1	40	1E34F.11-3	STARTER POPE	1
16	GB6177	NUT M8×1	1	41	1E34F.11-4	STARTER HANDLE	1
17	EBV260-2	SHATTER TOOTH	1	42	EBV260-13	TAIL PIPE	1
18	EBV260.13	IMPELLER	1	43	EBV260.5	THROTTLE WRIE COMP	1
19	GB70.1	SCREW M5×30	4	44	EBV260.3	LEAVES ASSY	1
20	EBV260-15.1	LEFT HANDLE RUBBER COVER	1	45	EBV260.3-2	HARNESS ASSY	1
21	EBV260.6	FRONT COCHLEA CASE	1	46	1E34F.9.1-2	RETURN FUEL PIPE	1
22	EBV260-8	PEDESTAL	4	47	1E34F.9.1-1	FUEL PIPE RUBBER BUNG	1
23	EBV260.12	FUEL TANK	1	48	1E34F.9.1-4	INLET FUEL PIPE	1
24	GB70.1	SCREW M5×20	4	49	1E34F.9.2-3	FILTER CLEANER	1
25	EBV260-5	LOWER HANDLE	1	50	1E34F.9-2	LID ASSY	1