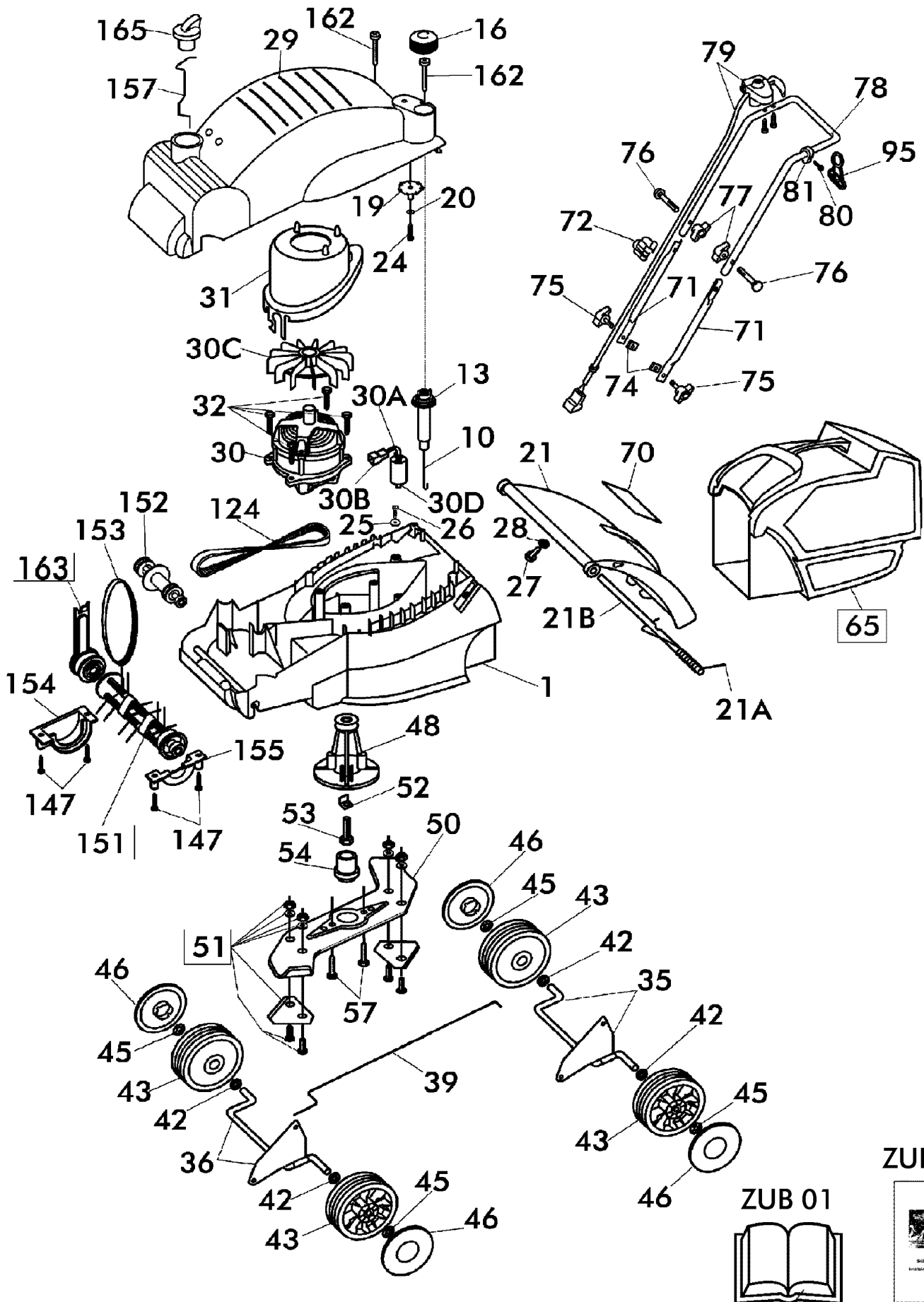


BRILL 32 EH Basic-Art.63100




ZUB 02

ZUB 01



| 2/3 | | Elektro-HATTRICK | |  | 32 EH Basic - Art. 63100 (ab Baujahr 2001) | |
|------------------------------|-------------------------------------|----------------------------------|-------------------------|--|--|--|
| 2003 | | ELECTRO - HATTRICK | | | | |
| Upd: 07.03 | | HATTRICK Électrique | | | | |
| Bild Nr. REF.N° POS.N° | BEST.-NR. PART-N° N° d. PIECE | BEZEICHNUNG | DESCRIPTION | Anzahl Qty. Qte. | | |
| 1 | 11119 | GEHÄUSE 32 EH | MOWER DECK 32 EH | 1 | | |
| 10 | 11266 | ZUGSTANGE 78074 KPL | High adjustment rod | 1 | | |
| 13 | 11180 | VERSTELLTEIL 32 EH | ADJUSTMENT PART 32 EH | 1 | | |
| 16 | 11177 | VERSTELLKNOPF 32EH | ADJUSTING BUTTON 32EH | 1 | | |
| 19 | 11252 | SKALENRAD 25-55 (32EH) BEDR. | ADJUSTING SCALE 25-55 | 1 | | |
| 20 | 11201 | SCHEIBE DIN 9021-3,2 | WASHER DIN 9021-3,2 | 1 | | |
| 21 | 11135 | HECKKLAPPE 32 EH | REAR SAFETY COVER | 1 | | |
| 21 A | 11202 | HECKKLAPPENFEDER 32 EH | FLAP SPRING | 1 | | |
| 21 B | 11173 | HECKKLAPPENACHSE 32 EH | REAR COVER AXLE 32 EH | 1 | | |
| 24 | 11200 | LIB-SCHRAUBE ISO7049-2,9X16 | SCREW 2,9X16 | 1 | | |
| 25 | 07499 | SCHEIBE S-9021-A4523 | WASHER | 1 | | |
| 26 | 06823 | SCHRAUBE DIN 7981-4,2X22 | SCREW DIN 7981 | 1 | | |
| 27 | 06813 | SCHRAUBE DIN 7981-2,9X9,5 | SCREW DIN 7981 | 1 | | |
| 28 | 06837 | SCHEIBE DIN 9021-A4,3 | WASHER | 1 | | |
| 29 | 11921 | ABDECKUNG 32 EH bedr. | DECK COVER 32EH | 1 | | |
| 30+30 D | 11187 | ELEKTRO-MOTOR 1,1kW (32EH) | EL.-MOTOR 1,1 kW 32EH | 1 | | |
| 30 A | 11286 | KONDENSATORLEITUNG 32 EH | CONDENSER CABLE 32 EH | 1 | | |
| 30 B | 10988 | LPH STECKHÜLSE, LOSE | WIRE COVER | 1 | | |
| 30 C | 09597 | LÜFTERFLÜGEL LOSE (ATB) | Fan (ATB) | 1 | | |
| 30 D | 09033 | KONDENSATOR 16yF | CONDENSER 16 YF | 1 | | |
| 31 | 11137 | KAPPE 32 EH | SAFTEY GUARD | 1 | | |
| 32 | 11285 | PT-SCHRAUBE K70X35 | Screw | 4 | | |
| 35 | 11170 | HINTERACHSE 32 EH KPL | REAR AXLE ASSY 32EH | 1 | | |
| 36 | 11154 | VORDERACHSE 32EH KPL | FRONT AXLE ASSY 32 EH | 1 | | |
| 39 | 11164 | VERBINDUNGSSTANGE 32 EH | CONNECTING ROD 32 EH | 1 | | |
| 42 | 10163 | SCHEIBE DIN 433-8,4 | Washer | 4 | | |
| 43 | 11196 | LAUFRAD D=150 / 8,1 / 35 SCHWARZ | WHEEL ASSY D=114 | 4 | | |
| 45 | 11198 | SPERRKAPPE 8 | CAP 8 | 4 | | |
| 46 | 11197 | RADKAPPE D=114 RAL2002 | HUB CAP 32EH | 4 | | |
| 48 | 11186 | MESSERFLANSCH 32 EH | BLADE FLANGE 32 EH | 1 | | |
| 50-51 | 11284 | MESSERTRÄGER 32 E (H) KPL. | CUTTER BAR ASSY. 32 EH | 1 | | |
| 51 | 00002 | DREIECKMESSERSATZ | V-SHAPED BLADES ASSY. | 1 | | |
| 52 | 11190 | WINKELSCHEIBE 32 EH | ANGLE BRACKET | 1 | | |
| 53 | 06650 | SCHRAUBE DIN 933-8X25 | SCREW HEX.HD. | 1 | | |
| 54 | 11192 | ZENTRIERSTOPFEN 32 EH | BLADE RING | 1 | | |
| 57 | 11285 | PT-SCHRAUBE K70X35 | Screw | 2 | | |
| 65 | 11059 | FANGKORB 32 EH KOMPL. | GRASS BOX ASSY. 32 EH | 1 | | |
| 71 | 11203 | GEST.-UNTERTEILHOLM 32 EH | HANDLE LOWER | 2 | | |
| 72 | 11222 | KABELKLEMME 350 433 | CLAMP | 1 | | |
| 74 | 11231 | VKT-MUTTER DIN 557-M6 VZ | SQ.-NUT DIN 57-M6 | 2 | | |
| 75 | 11824 | STERNGRIFFSCHRAUBE Peco M6 | WRING SCREW M6 PECO | 2 | | |
| 76 | 11225 | FR-SCHRAUBE DIN 603-6X35 VZ | SCREW 6X35 | 2 | | |
| 77 | 11825 | STERNGRIFFMUTTER Peco | WRING NUT M6 PECO | 2 | | |
| 78 | 11204 | GEST.-OBERTEILHOLM 32EH | HANDLE UPPER ASSY 32 EH | 1 | | |
| 79 | 11807 | TOTMANNSCHALTER 32 EH Basic | SAFTEY SWITCH ASSY 32EH | 1 | | |
| 80 | 08722 | SCHRAUBE DIN 7981 | SCREW | 1 | | |
| 81 | 11311 | ANSCHLAG D=20 MM | CLAMP STOP D=20 | 1 | | |
| 95 | 10962 | ZUGENTLASTUNG , SCHWARZ | CABLE CONTROL | 1 | | |

| 3/3 | Elektro-HATTRICK | |  | 32 EH Basic - Art. 63100 (ab Baujahr 2001) |
|------------------------------|-------------------------------------|-------------------------------|--|--|
| 2003 | ELECTRO - HATTRICK | | | |
| Upd: 07.03 | HATTRICK Électrique | | | |
| Bild Nr. REF.N° POS.N° | BEST.-NR. PART-N° N° d. PIECE | BEZEICHNUNG | DESCRIPTION | Anzahl Qty. Qte. |
| 124 | 11195 | KEILRIEMEN FOZ 6/Y 600 LI | V-BELT 6/Y 600LI | 1 |
| 147 | 11264 | LIB-SCHRAUBE DIN 7981-4,8X32 | SCREW 4,8X32 | 4 |
| 151 | 11216 | PFLEGEWALZE 32 EH KOMPL. | Areator roll 32 EH assy. | 1 |
| 152 | 11194 | ANTRIEBSWELLE 32 EH KPL.MONT. | DRIVE SHAFT ASSY 32EH | 1 |
| 153 | 11199 | KEILRIEMEN FOZ 6/Y 335 LI | BELT 6/Y 335LI | 1 |
| 154 | 11189 | LAGERSCHALE /R (32EH) | BEARING HOUSING /R.H. | 1 |
| 155 | 11188 | LAGERSCHALE /L (32EH) | BEARING HOUSING /L | 1 |
| 157 | 11163 | SCHALTEXZENTER 32 EH | SWITCH LEVER | 1 |
| 162 | 11057 | PT-SCHRAUBE KB40x30 | SCREW D7981-B4,2x22 | 2 |
| 163 | 11215 | ABTRIEBSWELLE 32 EH KPL | OUTPUT SHAFT | 1 |
| 165 | 11172 | SCHALTKNOPF 32EH | SWITCH KNOB | 1 |
| ZUBEHÖR | | ACCESSORIES | | |
| ZUB 01 | 11806 | GEBRAUCHSANWEISUNG 32EH/ED | Instruction for use 63100 | 1 |
| ZUB 02 | 00563 | BRILL-SERVICE-HEFT | Brill service booklet | 1 |